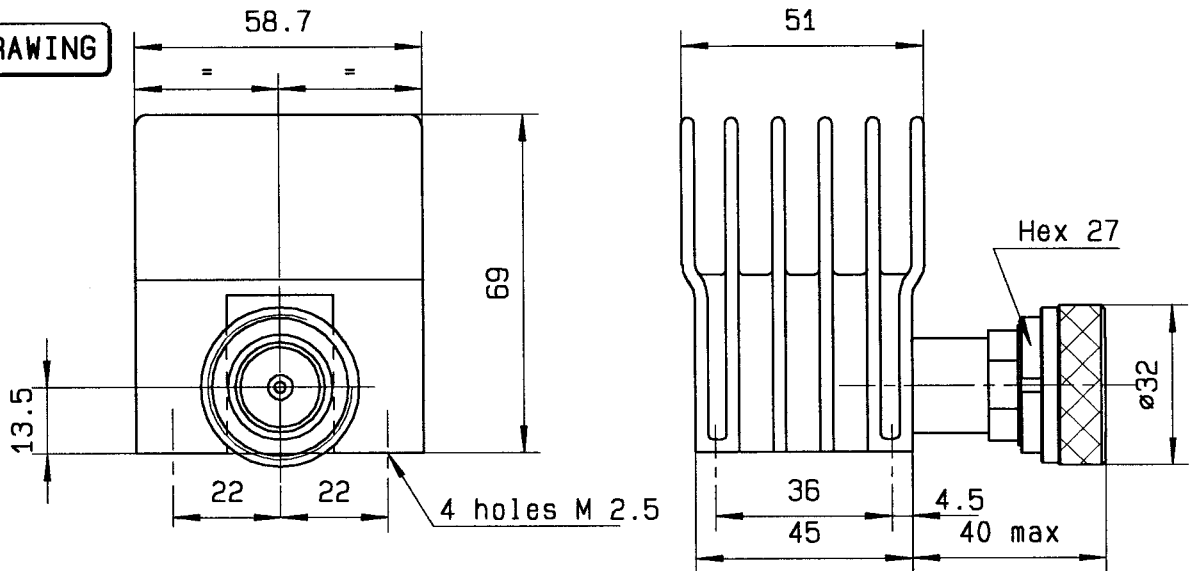




DRAWING



R F CHARACTERISTICS

General tolerances: +/- 0.5 mm

FREQUENCY RANGE	:	DC - 2 GHz
IMPEDANCE	:	50 Ohms
DC RESISTANCE	:	50 Ohms ± 5 %
V.S.W.R :	DC - 1 GHz	: ≤ 1.10
	1 - 2 GHz	: ≤ 1.20
PEAK POWER at 25°C (1µs, 1%.)	:	5 kW
AVERAGE POWER at 25°C	:	50 W

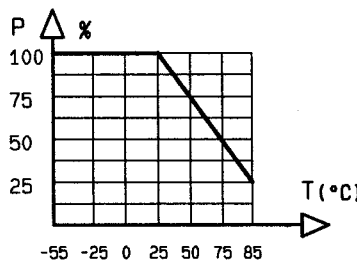
MECHANICAL CHARACTERISTICS

CONNECTORS	:	7/16male	per IEC 169-4
WEIGHT	:	< 380 g	

ENVIRONMENTAL CHARACTERISTICS

OPERATING TEMPERATURE RANGE	(°C)	:	-40	,	+85
STORAGE TEMPERATURE RANGE	(°C)	:	-40	,	+85

Power derating
Versus temperature



This information is given as an indication. In the continual goal to improve our products, we reserve the right to make any modifications judged necessary.

CREATION					
N° :					
PEN/EP:H92016					
Name:MG					
Date:04.apr.96	02.jun.99	New connector body	MG	AF	
APP.:AF	ISSUE	REVISIONS	NAME	APPR.	

RADIALL®

101. rue P. Hoffmann -Z.I Ouest-
93116 ROSNY/BOIS Cedex-FRANCE
Phone:33(1)49353535
Fax :33(1)48546363
Twx RADIA 235220F

4112-9212